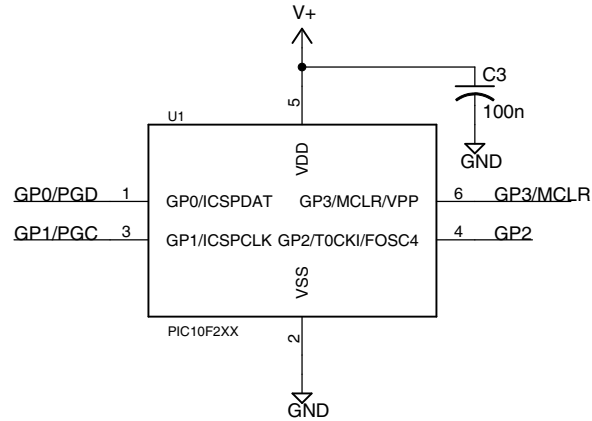
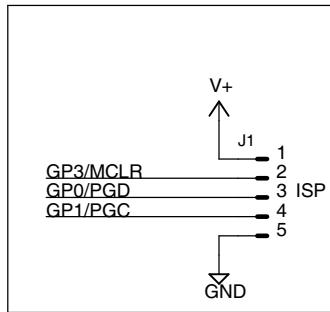
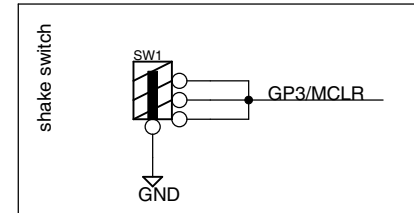
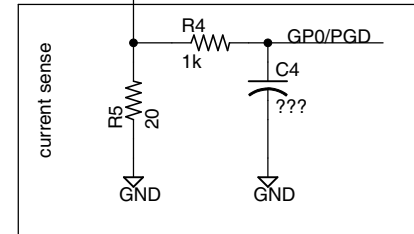
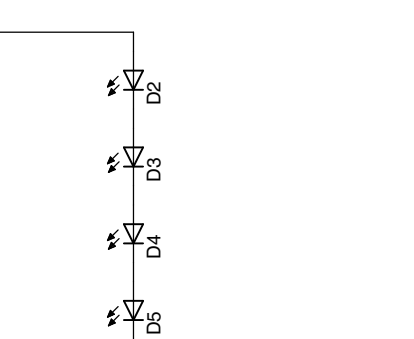
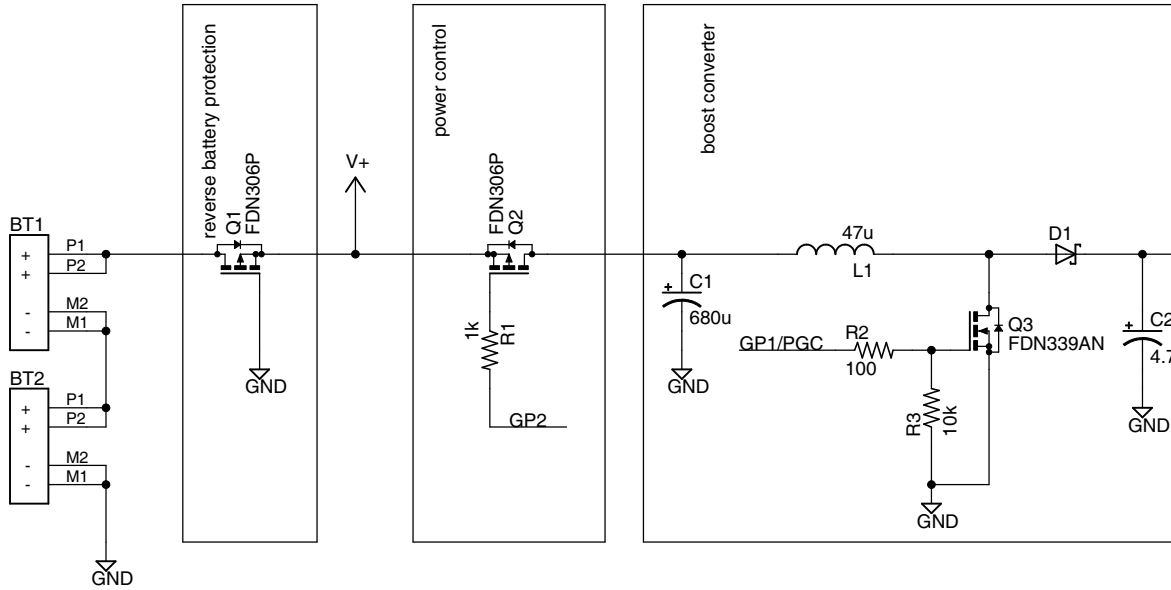


THE INFORMATION CONTAINED IN THIS DRAWING IS THE SOLE PROPERTY OF EDUCATIONAL DSP, LLC. ANY REPRODUCTION IN PART OR WHOLE IS STRICTLY PROHIBITED WITHOUT WRITTEN PERMISSION.

PROPRIETARY



| REV | DATE | CHANGE HISTORY | ISSUE | Educational DSP, LLC CROSS PLAINS, WI U.S.A | THIS DRAWING CONTAINS PROPRIETARY INFORMATION AND SHOULD NOT BE USED WITHOUT WRITTEN PERMISSION. | © 2005 |
|-----|------|----------------|----------------|---|--|--------|
| | | | DRAWN | TITLE | | |
| | | | CHECKED | IEEE Backpack Light | | |
| | | | DATE | 3/11/2009 8:45:17 AM | DRG N° | |
| | | | FILE: backpack | PAGE: 1/1 | | |

REV
A